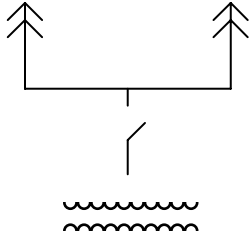
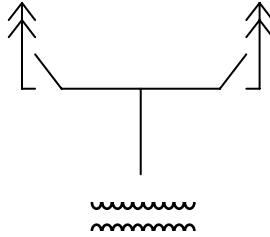


APPENDIX 1: Switching Options and Schematics

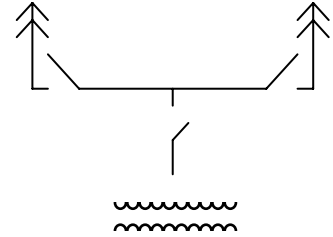
1 On/Off Switch



2 On/Off Switches

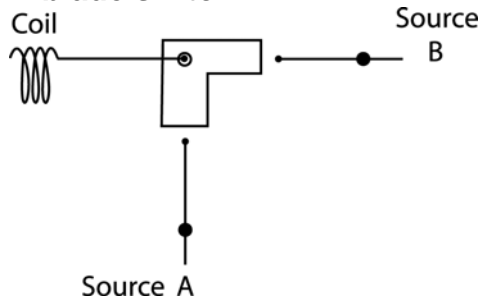


3 On/Off Switches



4-position sectionalizing switches:

V-blade switch



Description of positions:

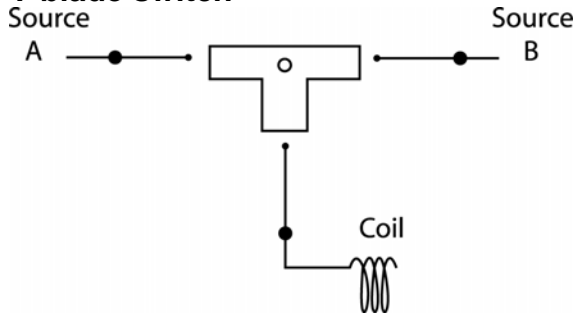
Feed from A & B

Feed from A only

Feed from B only

Open — the loop is **open** and the transformer is de-energized

T-blade switch



Description of positions:

Feed from A & B

Feed from A only

Feed from B only

Open — the loop is **closed** and the transformer is de-energized